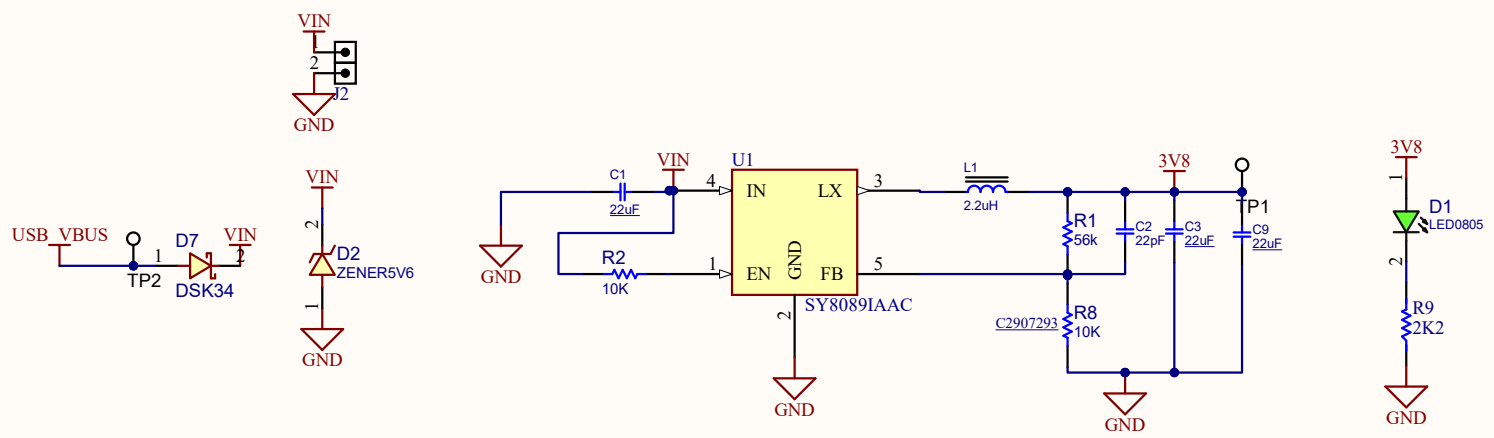
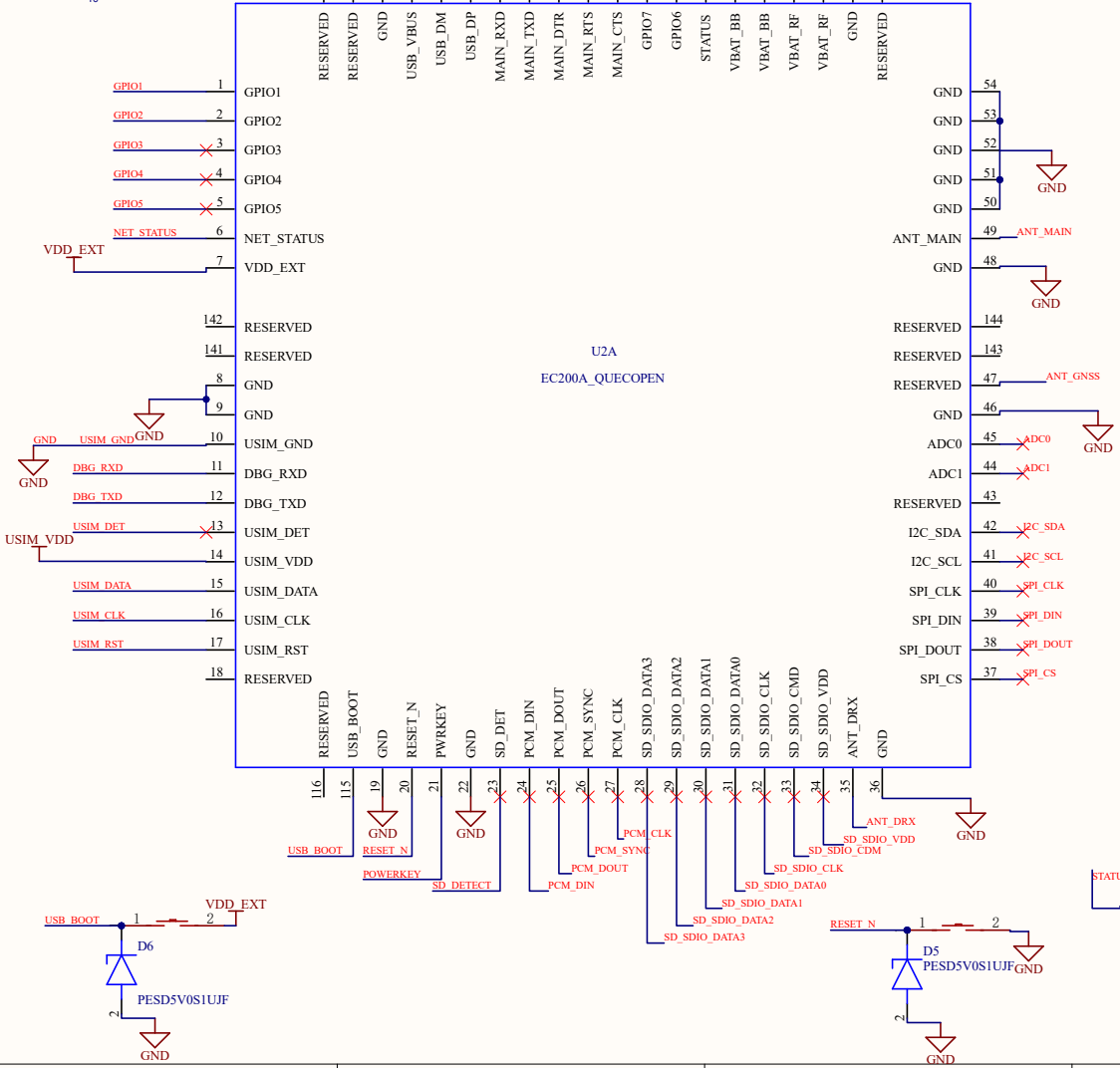
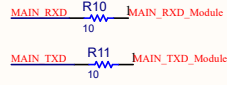
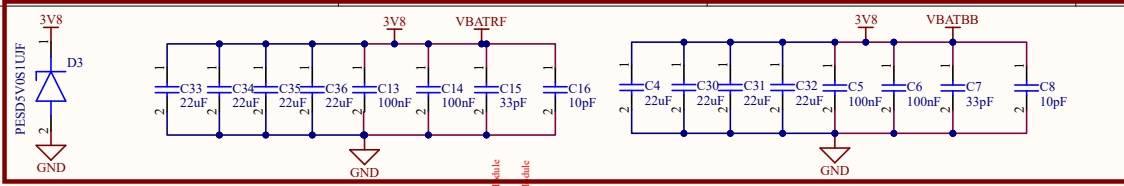


Power



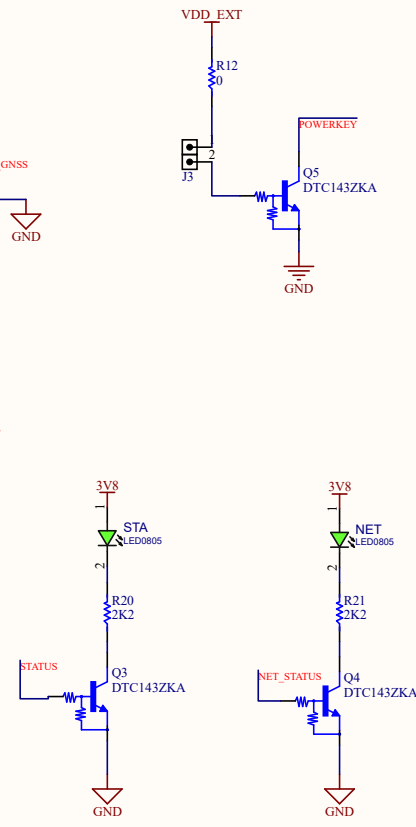
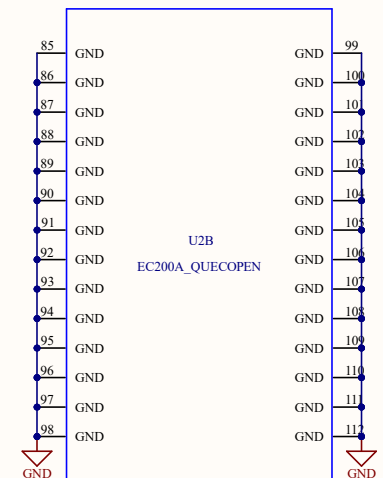
Title		
Size	Number	Revision
A		
Date:	12/07/2025	Sheet of
File:	C:\Users\...M-Power.SchDoc	Drawn By:

KEPP THEM NEAR MODULE

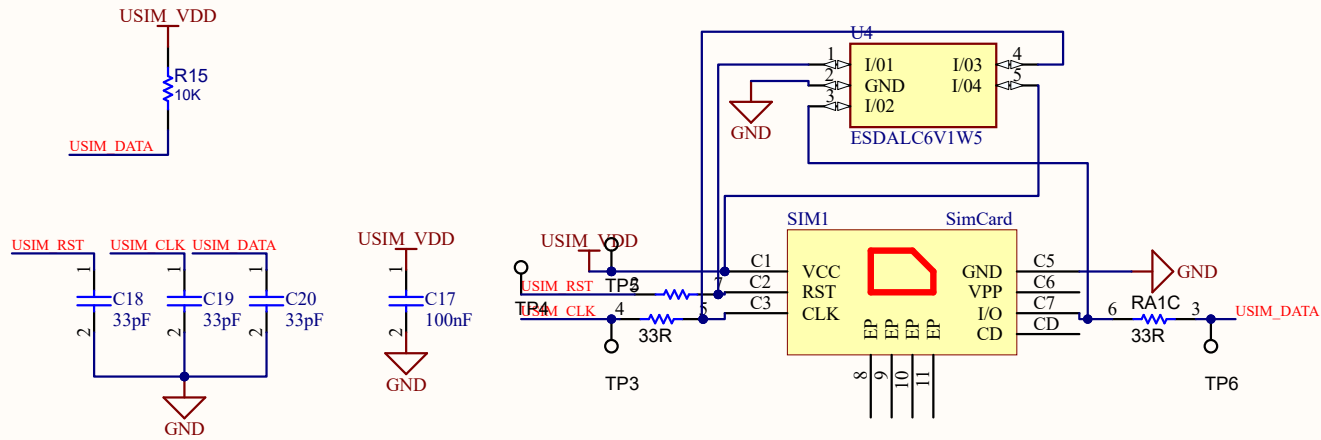


117	RESERVED	WLAN_SDIO_DATA3	129
118	WLAN_SLP_CLK	WLAN_SDIO_DATA2	130
119	RGMIU/RMIU_RST_N	WLAN_SDIO_DATA1	131
120	RGMIU/RMIU_INT	WLAN_SDIO_DATA0	132
121	RGMIU/RMIU_MD_IO	WLAN_SDIO_CLK	133
122	RGMIU/RMIU_MD_CLK	U2D WLAN_SDIO_CMD	134
123	SPK_N	EC200A_QUECOPEN WLAN_WAKE	135
124	SPK_P	WLAN_EN	136
125	MIC_P	RESERVED	137
126	MIC_N	RESERVED	138
127	WLAN_PWR_EN	GPIO8	139
128	RESERVED	MICBIAS	140

73	RGMIU/RMIU_RX_1	RGMIU_RX_2	79
74	RGMIU/RMIU_CTL_RX	RGMIU_TX_2	80
75	RGMIU/RMIU_CLK	U2C RGMIU/RMIU_CTL_TX	81
76	RGMIU/RMIU_RX_0	EC200A_QUECOPEN RGMIU_RX_3	82
77	RGMIU/RMIU_TX_0	RGMIU_CK_TX	83
78	RGMIU/RMIU_TX_1	RGMIU_TX_3	84



Title		
Size B	Number	Revision
Date:	12/07/2025	Sheet of
File:	C:\Users\..._2-Module.SchDoc	Drawn By:



Title		
Size	Number	Revision
A		
Date:	12/07/2025	Sheet of
File:	C:\Users\...\3-SimCard.SchDoc	Drawn By:

A

A

B

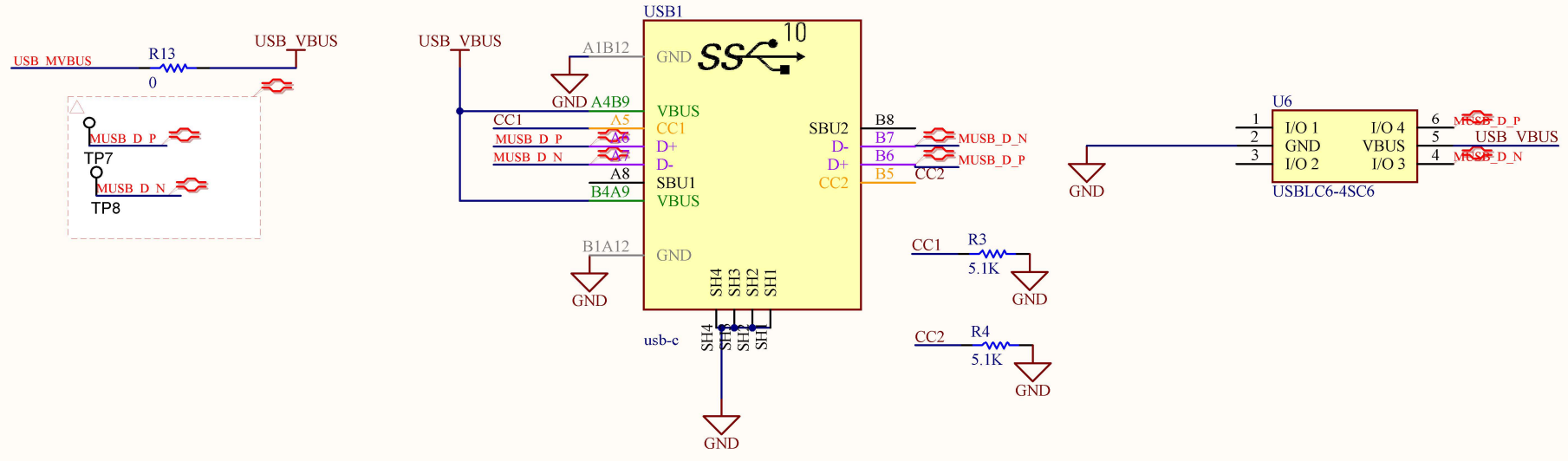
B

C

C

D

D



Title		
Size	Number	Revision
A		
Date:	12/07/2025	Sheet of
File:	C:\Users\...4-USB.SchDoc	Drawn By:

1

2

3

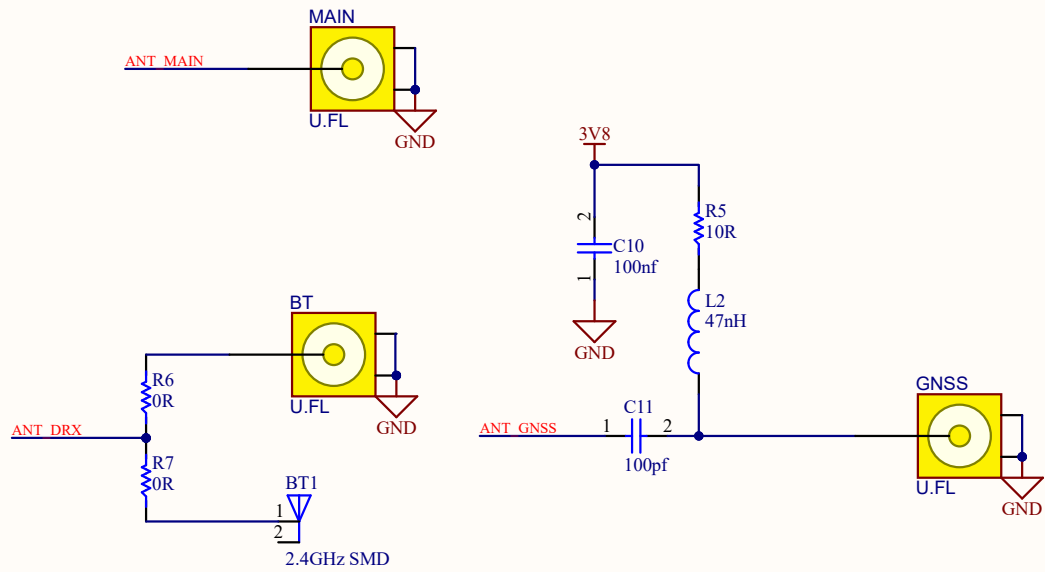
4

1

2

3

4



Title		
Size	Number	Revision
A		
Date:	12/07/2025	Sheet of
File:	C:\Users\...\5-ANT.SchDoc	Drawn By:

A

A

B

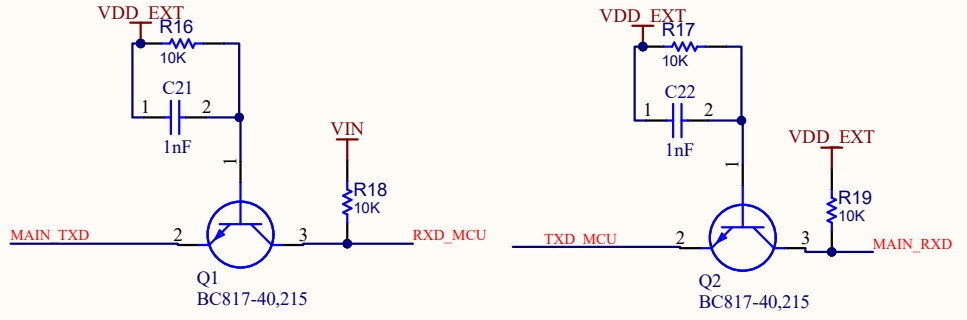
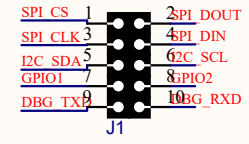
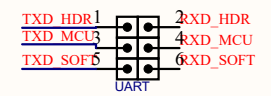
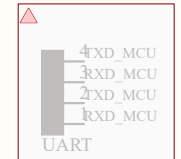
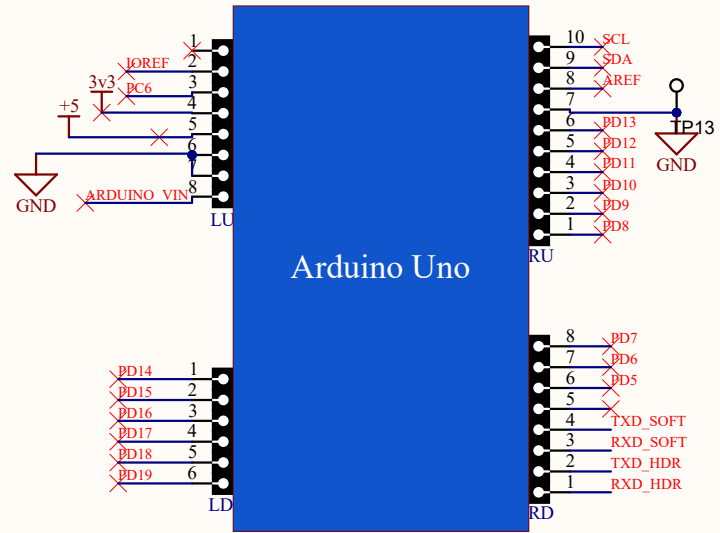
B

C

C

D

D



Title		
Size	Number	Revision
A		
Date:	12/07/2025	Sheet of
File:	C:\Users\...\6-PINS.SchDoc	Drawn By:

1

2

3

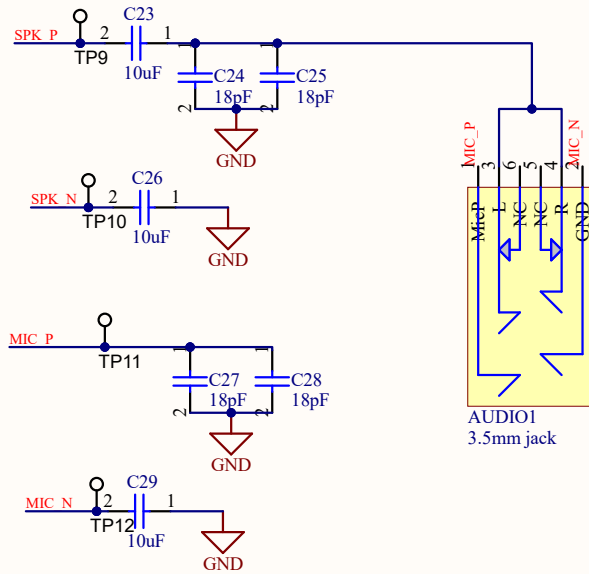
4

1

2

3

4



Title		
Size	Number	Revision
A		
Date:	12/07/2025	Sheet of
File:	C:\Users\...\7-Sound.SchDoc	Drawn By: