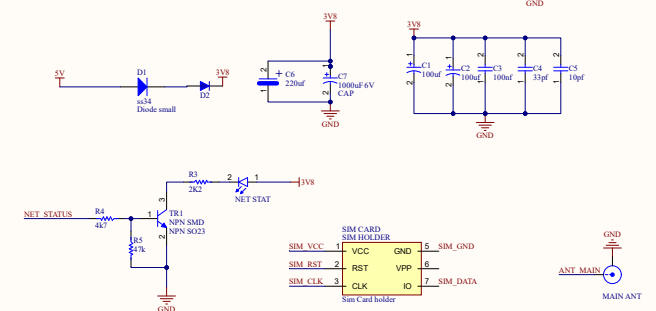
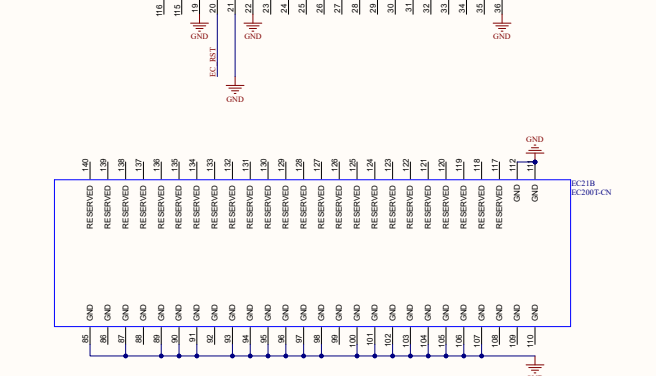
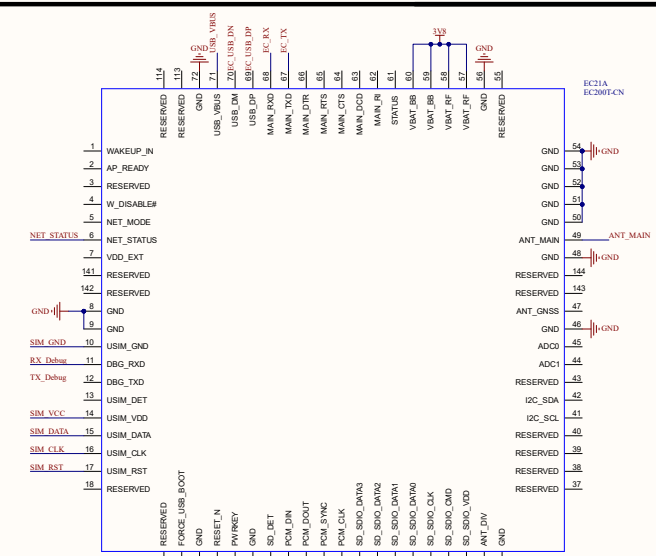
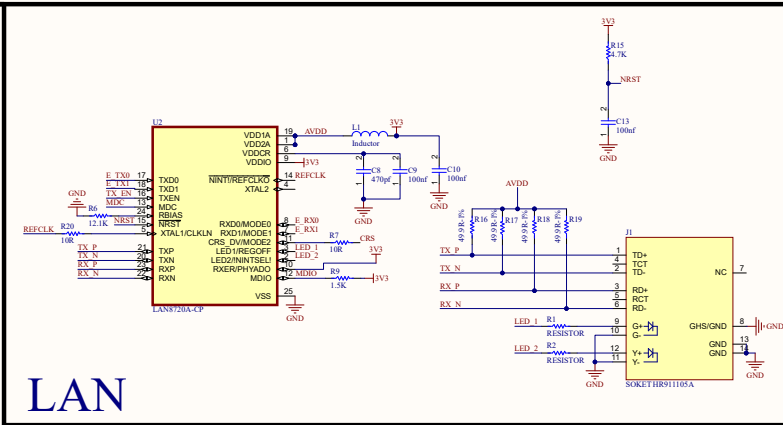


THIS DOCUMENT AND THE DATA DISCLOSED HEREIN OR HEREWITH IS THE PROPERTY OF ALTUM LIMITED AND MAY BE FREELY DISTRIBUTED IN WHOLE. NO RIGHTS ARE RESERVED OR EXPRESS OR IMPLIED WARRANTIES GIVEN.

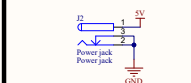
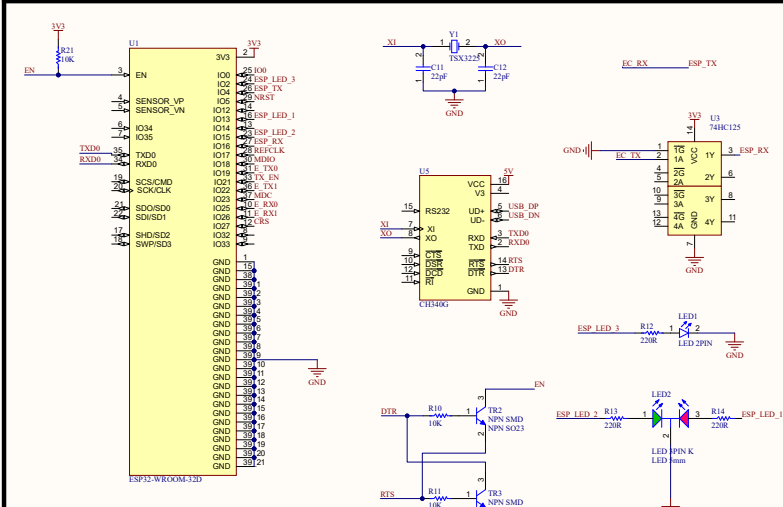
REVISION	DESCRIPTION	DATE	APPROVED



LTE



LAN



ESP32

APPROVALS	DATE	PROJECT	Altium
ENG: .		PROJECT REVISION	DESIGN FILE
DSN: .		Not in version control	Not in version control
CHK: .		TITLE	
REFERENCE DOCUMENTS			
* .			
BOB	SIZE	CAGE CODE	DWG NO.
ASSY DWG:	A2		
FAB DWG:			
PCB DWG:	SCALE:	FILE NAME	SHEET 1 OF